

# INSTRUCTIONS FOR INSTALLING A NO.10 BLUE SPIRAL AND RAMP KIT IN ANY NATIONAL VENDORS<sup>®</sup> 140 - SHOWCASE MERCHANDISER

These instructions cover the procedures for installing the No.10 Blue Spiral and Ramp Kit in any 140 - Showcase Merchandiser.

Read these instructions carefully and thoroughly before installing the Kit. Retain these instructions for part number and installation information. Kit, Part Number 140-7046, contains the following parts:

Part Number	Description	Quantity
140-7040	No.10 Spiral Ramp	1
140-7039	No.10 Blue Spiral	1
140-7047	Installation Instructions	1
	* * *	

## TO INSTALL THE KIT

### A. PARTS REMOVAL

1. Unlock and open the Merchandiser Cabinet Door.

#### CAUTION

Do not pull on the Item Number/Price Tag Holders when removing a Tray.

#### WARNING

1. The top Tray pulls out and then pivots down.
2. Do not have more than two Trays pulled out at one time.

2. Pull out the Tray in which the No.10 Blue Spiral and the No.10 Spiral Ramp are to be installed.

#### CAUTION

The No.10 Blue Spiral can only be used in the middle three channels of Snack Trays. The No.10 Blue Spiral must be used with a No.10 Spiral Ramp installed under the Spiral.

3. Raise the Spiral, to be replaced, off the Spiral Coupling at the rear of the Tray and remove the Spiral from the Tray.

### B. INSTALLATION OF THE KIT

#### CAUTION

The No.10 Blue Spiral can only be used in the middle three channels of Snack Trays. The No.10 Blue Spiral must be used with a No.10 Spiral Ramp installed under the Spiral.

1. Install the No.10 Spiral Ramp, Part Number 140-7040, included in the Kit, so that the walls of the No.10 Spiral Ramp are parallel with the Column Dividers. The peg on the bottom side of the No.10 Spiral Ramp will fit in the hole in the front of the Tray. See Figure 1.

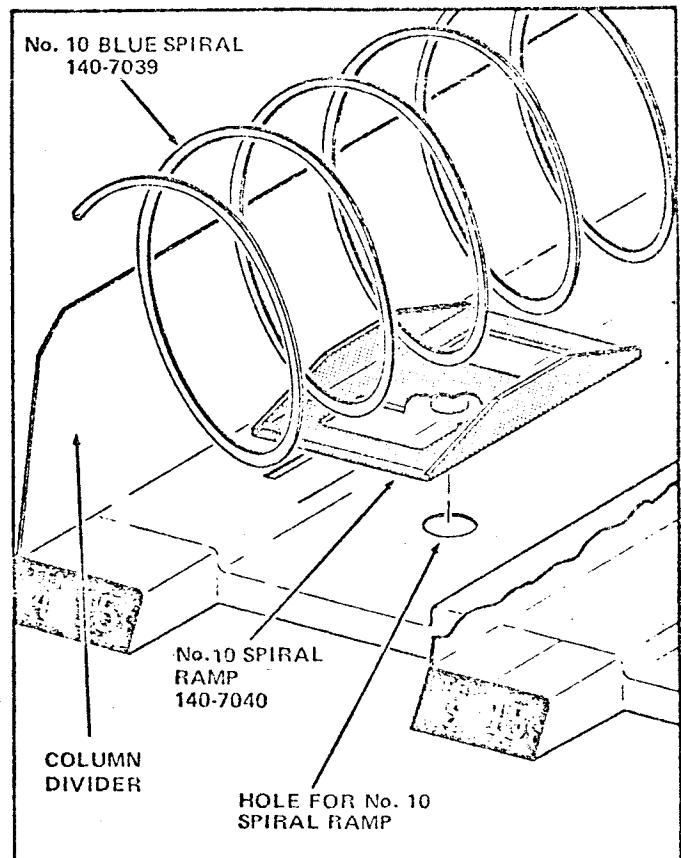


FIGURE 1

2. Slide the No.10 Blue Spiral, Part Number 140-7039, included in the Kit, onto the Spiral Coupling at the rear of the Tray. See Figure 2.
3. Return the Tray to the Merchandiser Cabinet.
4. Close and lock the Merchandiser Cabinet Door.
5. Test vend the Merchandiser.

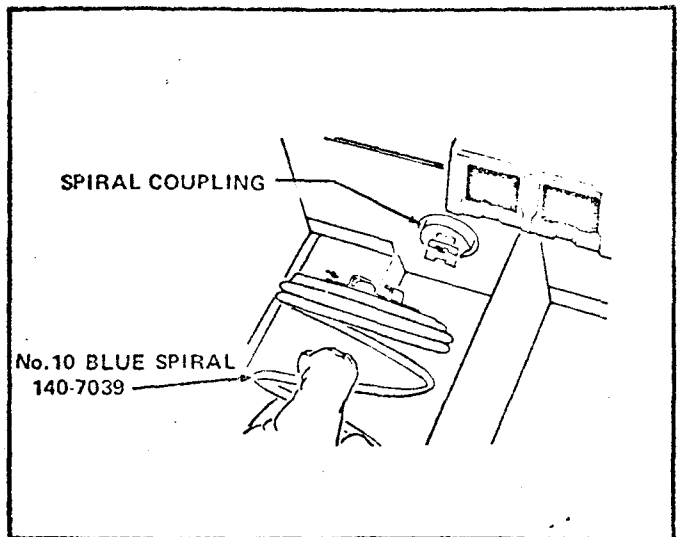


FIGURE 2